



US00D515353S

(12) **United States Design Patent**  
**Martin**

(10) **Patent No.:** **US D515,353 S**

(45) **Date of Patent:** **\*\* Feb. 21, 2006**

(54) **CONTAINER LID**

(76) **Inventor:** **Laura Ann Martin**, 185 Varick St.,  
Suite 303, New York, NY (US) 10014

(\*\*) **Term:** **14 Years**

(21) **Appl. No.:** **29/226,852**

(22) **Filed:** **Apr. 1, 2005**

**Related U.S. Application Data**

(63) Continuation of application No. 29/219,725, filed on Dec. 21, 2004, now Pat. No. Des. 508,374, which is a continuation of application No. 10/314,504, filed on Dec. 9, 2002.

(51) **LOC (8) Cl.** ..... **07-01**

(52) **U.S. Cl.** ..... **D7/392.1; D9/454; D7/401.1**

(58) **Field of Classification Search** ..... **D7/590-599, D7/392, 392.1, 538-542, 401.1; D9/434, D9/454, 515, 516, 529; 215/200, 203, 217; 220/200, 288, 796-806; 222/142.1-142.9**

See application file for complete search history.

(56) **References Cited**

**U.S. PATENT DOCUMENTS**

3,414,183 A	*	12/1968	Wilcox .....	215/321
5,285,996 A	*	2/1994	Waller .....	220/701
D417,847 S	*	12/1999	Rush et al. ....	D9/454
D452,155 S	*	12/2001	Stodd .....	D9/454
D470,050 S	*	2/2003	Renz et al. ....	D9/434

\* cited by examiner

*Primary Examiner*—Terry A. Wallace

(74) *Attorney, Agent, or Firm*—Armstrong Teasdale LLP

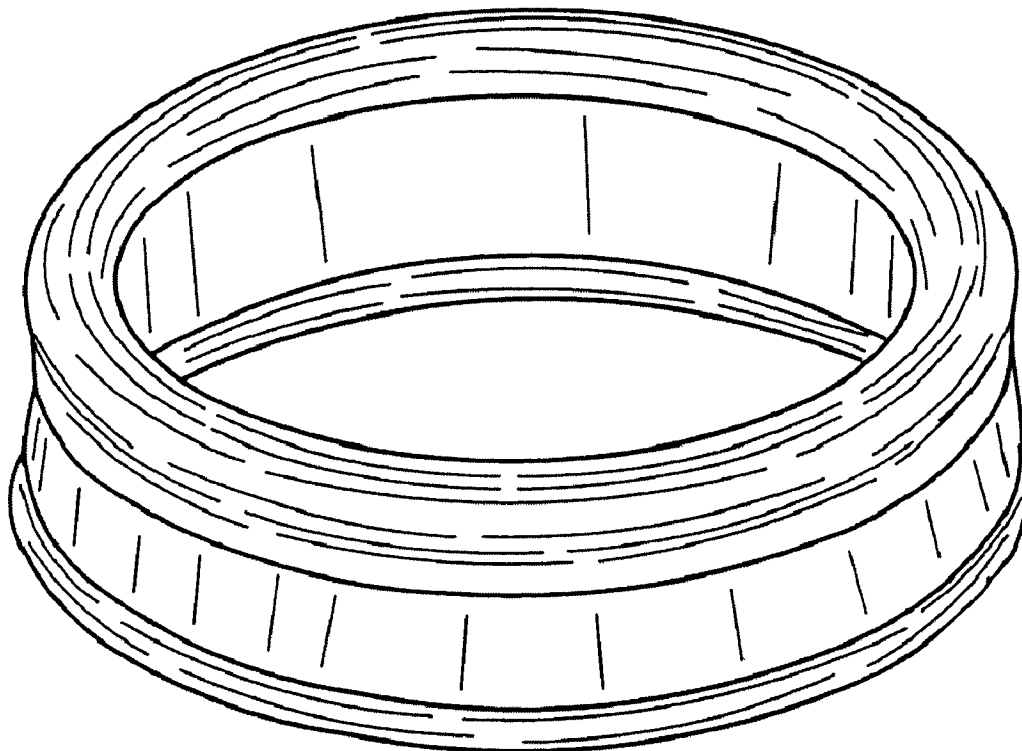
(57) **CLAIM**

I claim the ornamental design for a container lid, as shown and described.

**DESCRIPTION**

FIG. 1 is a perspective view of an exemplary container lid; FIG. 2 is a plan view of the container lid as shown in FIG. 1.

**1 Claim, 1 Drawing Sheet**



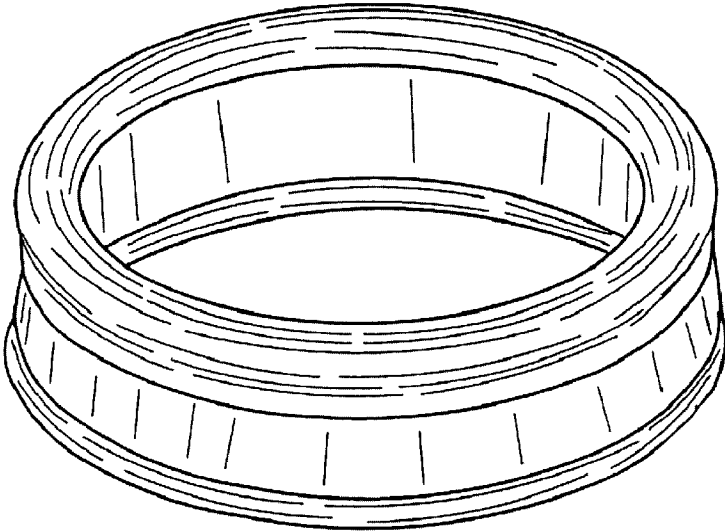


FIG. 1

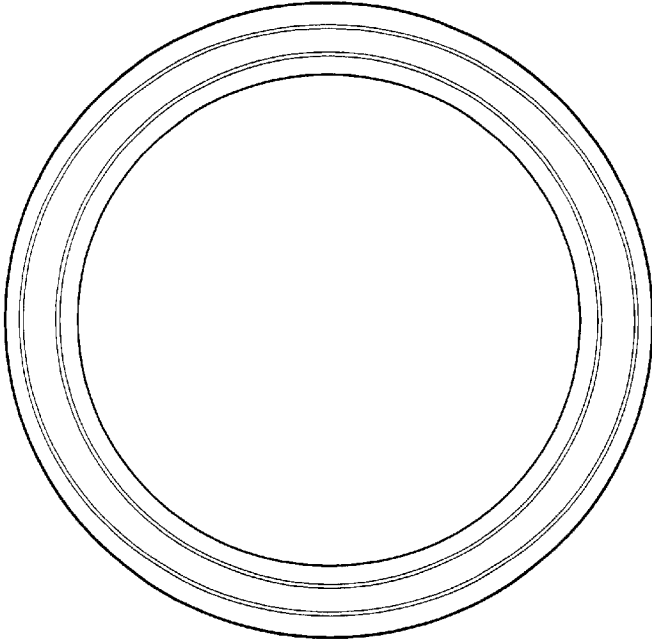


FIG. 2