



US00D468162S

(12) **United States Design Patent** (10) **Patent No.:** **US D468,162 S**
Martin (45) **Date of Patent:** **** Jan. 7, 2003**

(54) **COMBINED SPICE RACK AND SPICE JARS**

OTHER PUBLICATIONS

(76) Inventor: **Laura Martin**, 421 Hudson St., New York, NY (US) 10014

The Tubular Spice Co., at <http://www.tubularspices.com/racks/spiceracks.asp>.

(**) Term: **14 Years**

Stacks and Stacks Homewares!, at http://www.stacksand-stacks.com/scripts/search.html?search_str+spice%20rack&limit=1 All Purpose Spice Cans and Label Sets.

(21) Appl. No.: **29/150,675**

(List continued on next page.)

(22) Filed: **Nov. 27, 2001**

(51) **LOC (7) Cl.** **07-06**

Primary Examiner—Terry A. Wallace

(52) **U.S. Cl.** **D7/592; D7/701**

(74) *Attorney, Agent, or Firm*—Ostrager Chong & Flaherty LLP; Manette Dennis

(58) **Field of Search** D7/590–597, 701, D7/707, 708; D6/569, 514, 553, 574; D9/500–504, 506, 515, 549, 559, 572–575, 341; 211/71.01, 74, 75, 87.01; 222/142.1–142.9, 480; 248/311.2, 206.5

(57) **CLAIM**

The ornamental design for a combined spice rack and spice jars, as shown and described.

(56) **References Cited**

DESCRIPTION

U.S. PATENT DOCUMENTS

D67,752 S	*	7/1925	Frahm	D7/592
D190,510 S	*	6/1961	Grandinetti	D7/592
3,731,819 A	*	5/1973	Sandhage	211/74
D233,815 S	*	12/1974	Salviato	D7/590
4,019,638 A	*	4/1977	Miller	211/74
4,346,823 A		8/1982	Eppenbach		
D267,847 S		2/1983	Pielert		
4,378,889 A		4/1983	Lebowitz		
D303,900 S		10/1989	Ancona et al.		
D314,491 S		2/1991	Carter et al.		
5,020,699 A		6/1991	Sams		
5,123,574 A		6/1992	Poulos		
5,368,203 A		11/1994	Friedrich et al.		
5,407,107 A		4/1995	Smith		
D379,148 S		5/1997	Robbins, III et al.		
5,655,673 A		8/1997	Weterrings et al.		
5,871,107 A		2/1999	Johnson et al.		
D407,306 S	*	3/1999	Saab	D9/341
6,039,224 A		3/2000	Dallas, Jr. et al.		
6,047,837 A		4/2000	Kessens		
6,279,760 B1		8/2001	Broeski		
6,283,339 B1		9/2001	Morrow		

FIG. 1 is a front view of the combined spice rack and spice jars of the invention;

FIG. 2 is a rear view of the combined spice rack and spice jars of the invention;

FIG. 3 is a right side view of the combined spice rack and spice jars of the invention;

FIG. 4 is a left side view of the combined spice rack and spice jars of the invention;

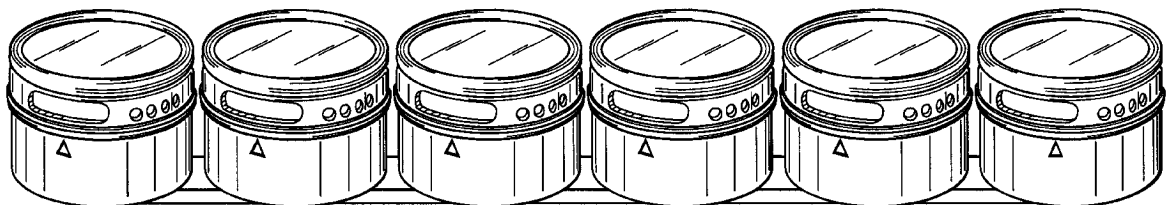
FIG. 5 is a top view of the combined spice rack and spice jars of the invention;

FIG. 6 is a bottom view of the combined spice rack and spice jars of the invention;

FIG. 7 is a front and top perspective view of the combined spice rack and spice jars of the invention; and,

FIG. 8 is a top view of the combined spice rack and spice jars of the invention mounted, as shown in broken lines, on a wall, cabinet or other like surface. The broken lines where the spice rack is mounted in FIG. 8 are for illustrative purposes only and form no part of the claimed design.

1 Claim, 5 Drawing Sheets



OTHER PUBLICATIONS

Organize-Everything.com, at <http://organize-everything.com/spiceracks.html>.

Fante's Kitchen Wares Shop, at <http://www.fantes.com/spice.html>.

Kitchen Classics, at http://www.kitchen-classics.com/spice_racks.html.

InternetKitchenStore, at http://www.internetkitchenstore.com/BREAD_BOX_AND_SPICE_RACKS21927.html.

Magnetic Knife Rack, Danesco International Inc., Champlain, NY 12919.

Spielgel: Ensemble Detail, Kitchen & Dining:: Cutlery & Flatware, at <http://www.spiegel.com/shop/ensemble>.

43993 Forschner Victorinox-Magnetic Knife Bar, at http://209.35.185.42/ShopSite/RH_Forschner_Victorinox_Cutlery_43993.html.

Magnetic Knife Rack, at <http://www.sanyo-e.com/product/586/51819.html>.

Magnetic Holder, at http://www.housewaresquare.com/images/WusthofImages/7228-35_magnetic_holder.GIF.

Magnetic Knife and Tool Holder, at <http://www.chefdepot.net/racks2.htm>.

* cited by examiner

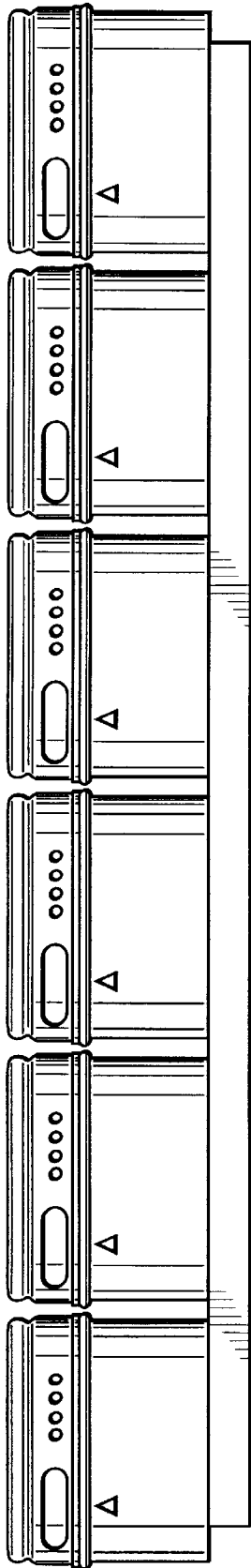


FIG. 1

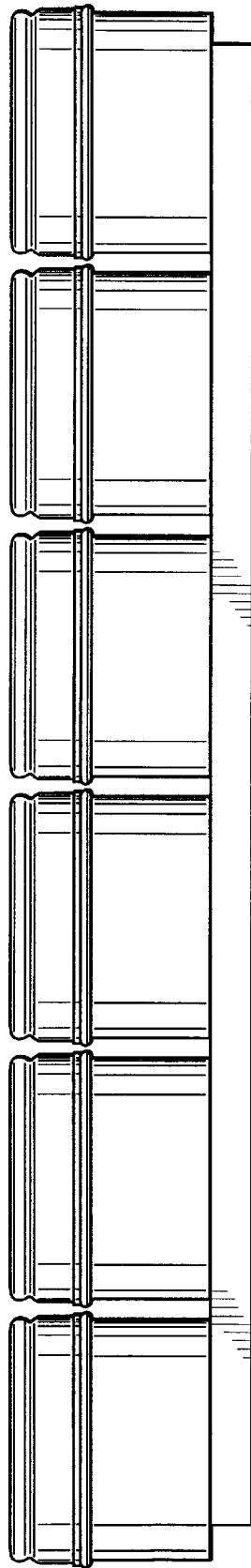


FIG. 2

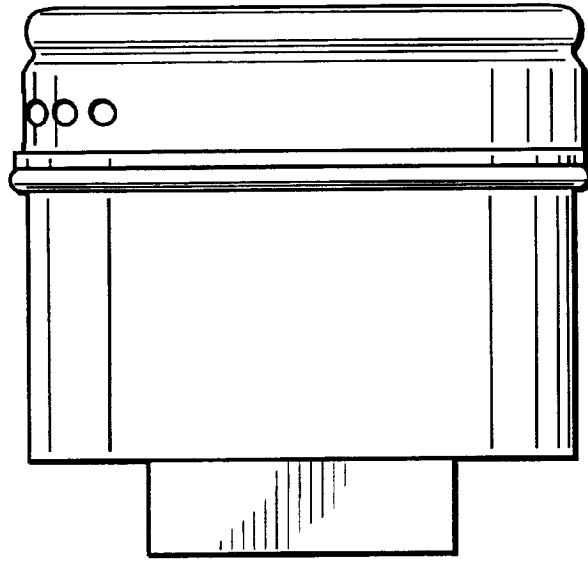


FIG. 3

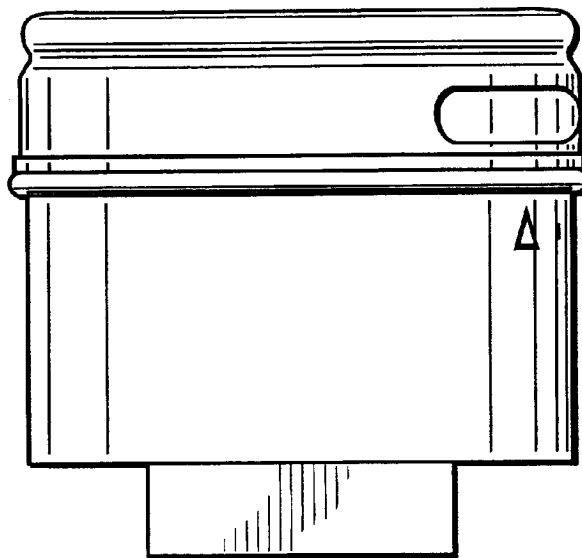


FIG. 4

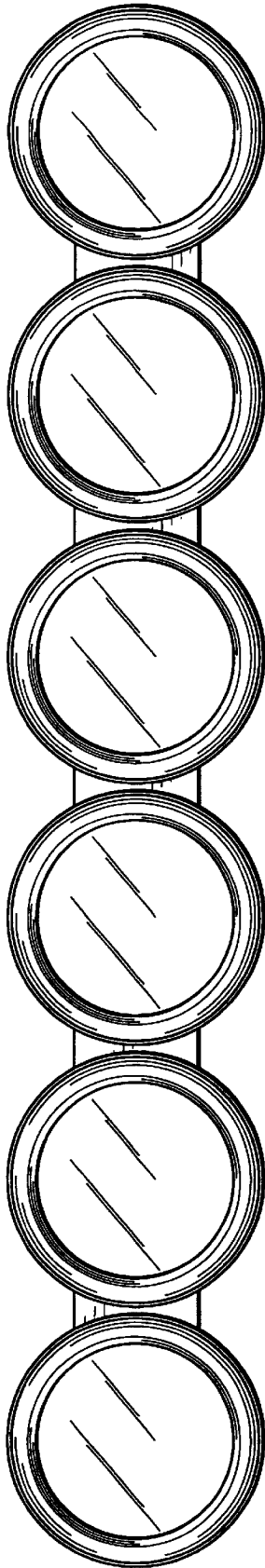


FIG. 5

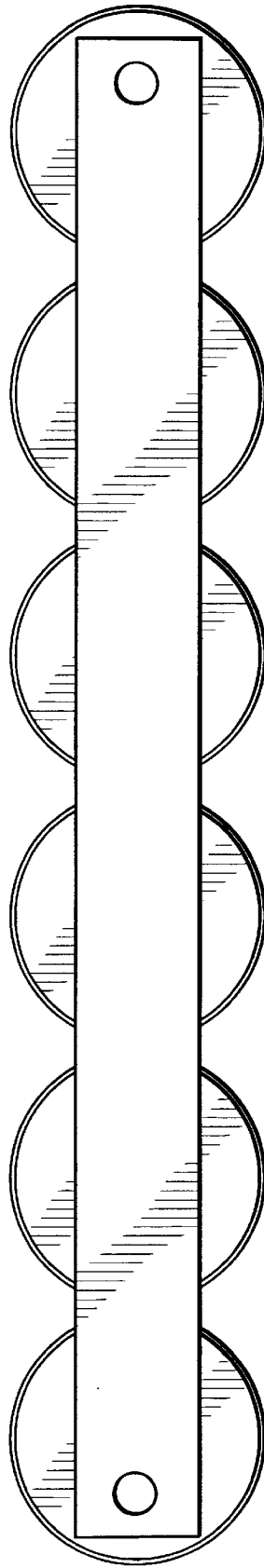


FIG. 6

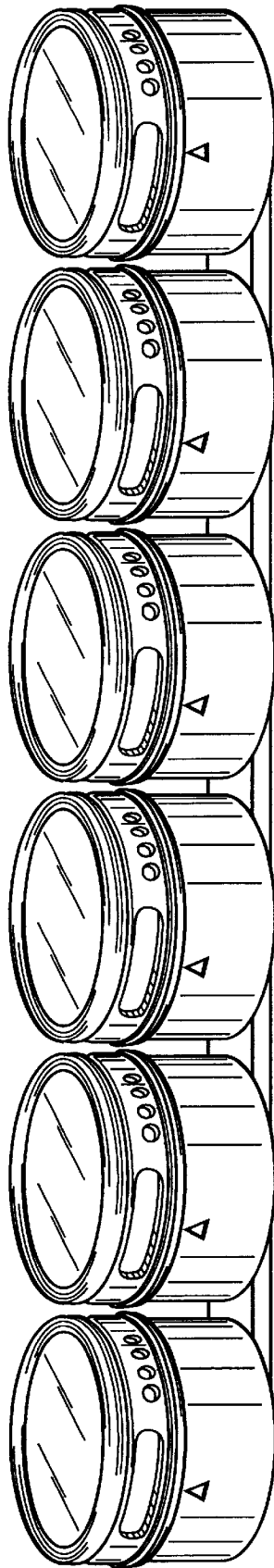


FIG. 7

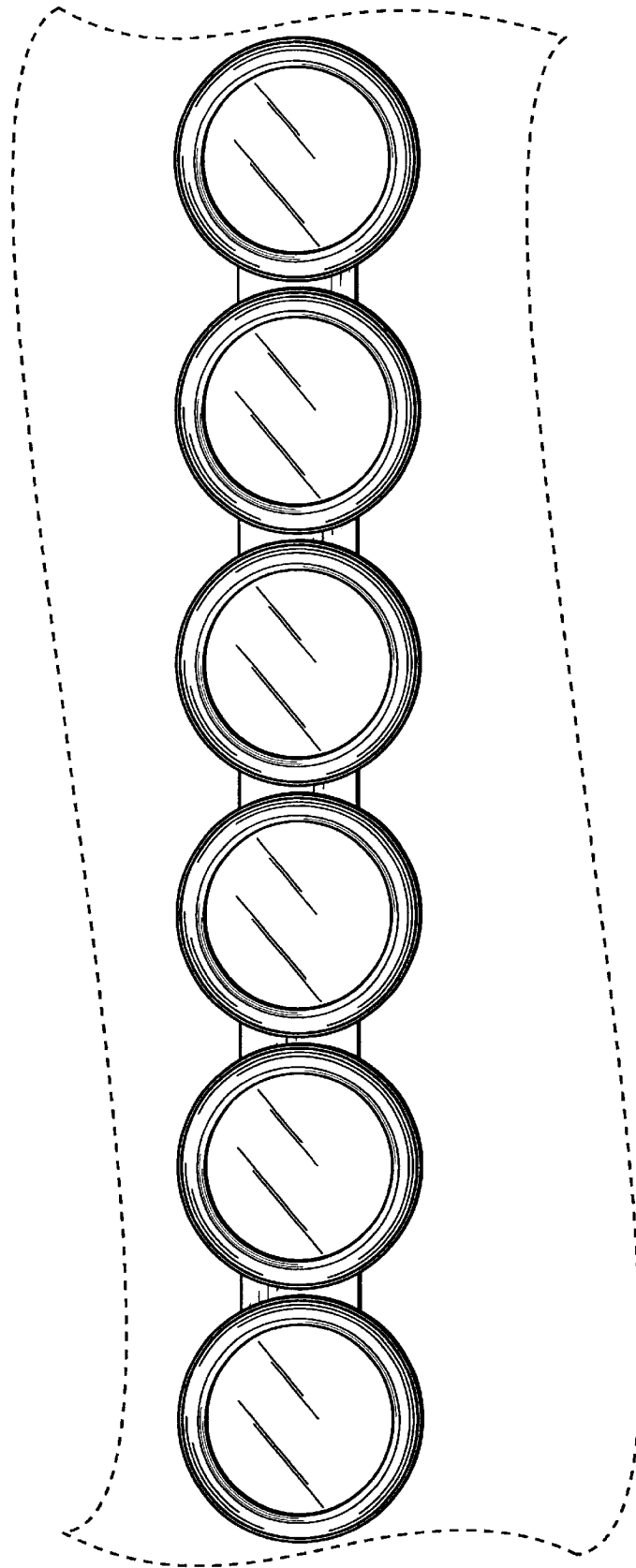


FIG. 8